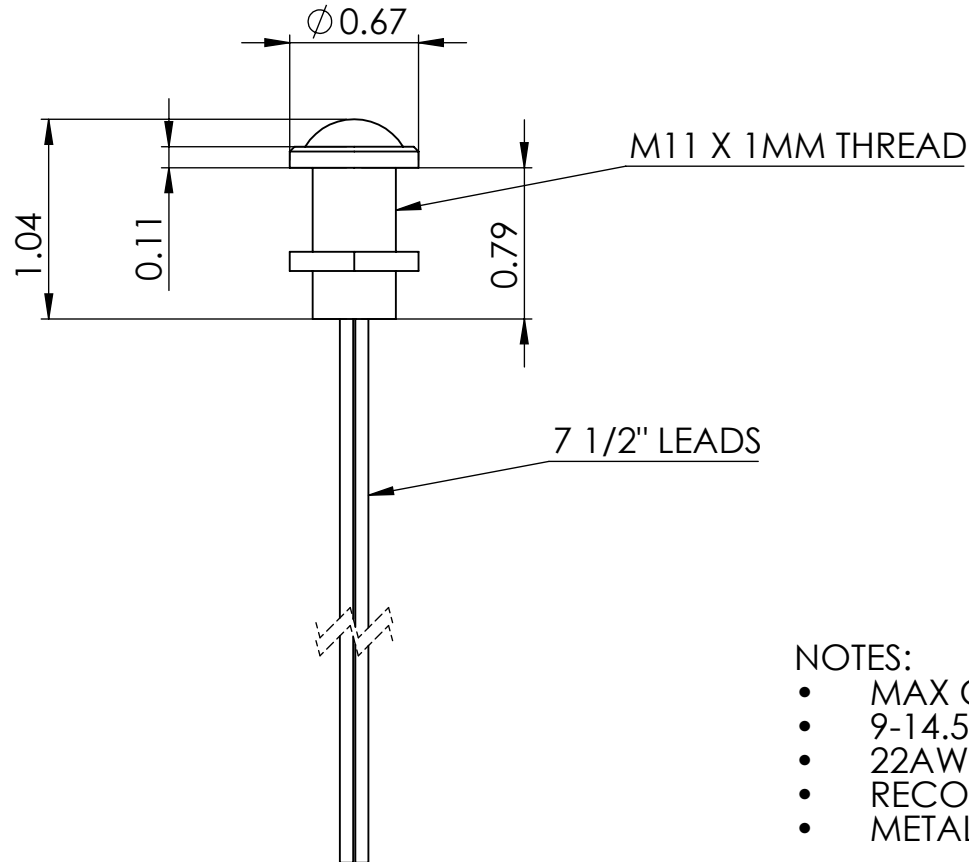
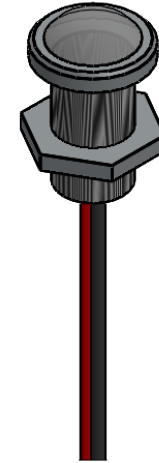


PART NUMBER	COLOR
LTWL-A	AMBER
LTWL-B	BLUE
LTWL-G	GREEN
LTWL-R	RED



NOTES:

- MAX CURRENT DRAW IS .07A
- 9-14.5VDC OPERATING VOLTAGE
- 22AWG LEADS
- RECOMMENDED MOUNTING HOLE SIZE IS  $\phi .45"$
- METAL BEZEL IS SILVER



THE INFORMATION CONTAINED HEREIN IS CLASSIFIED AND CONFIDENTIAL. IT IS THE SOLE PROPERTY OF CLASSIC INSTRUMENTS. ANY REPRODUCTION OR USE WITHOUT THE WRITTEN CONSENT OF CLASSIC INSTRUMENTS IS EXPRESSLY PROHIBITED.

UNLESS OTHERWISE SPECIFIED:		NAME	DATE	TITLE:	
DIMENSIONS ARE IN INCHES		DRAWN BY: D. BUTTERBRODT	2/27/2020	LTWL-__	
TOLERANCES:		CHECKED BY:			
FRACTIONAL $\pm 0.01$		COMMENTS:		SIZE	DWG. NO.
DECIMAL $.00 \pm .01$				A	001
DECIMAL $.000 \pm .001$					DO NOT SCALE DRAWING
MATERIAL					SHEET 1 OF 1
FINISH					