

Classic Instruments 6-Gauge Wiring Harness (SN84)

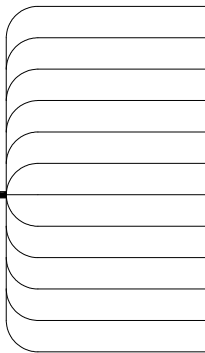
Speedometer Harness (included with speedo)



12 PIN MINI-FIT JR MALE CONNECTOR

12 POSITION MOLEX MINI-FIT JR CONNECTOR WIRE POSITIONS

Position	Function - Color
1	Ground - Black
2	Speedometer Signal - Purple
3	+5V Power (for SM76) - Red
4	Optional Left Turn Indicator - Blue / White
5	Not Used - White
6	+12V Switched Power - Pink
7	Optional High Beam Indicator - Lt. Green
8	Optional Right Turn Indicator - Purple / White
9	Dash Light Power - Grey
10	Setup Button - Brown
11	Not Used - Blue
12	Not Used - Yellow



- Dedicated Ground [BLACK]
- Speed Signal [PURPLE]
- +5V Power [RED]
- Left Turn [BLUE / WHITE]
- Not Used [WHITE]
- +12V Switched Power [PINK]
- High Beam [LT. GREEN]
- Right Turn [PURPLE / WHITE]
- Dash Light Power [GREY]
- Setup Button [BROWN]
- Not Used [BLUE]
- Not Used [YELLOW]

5-Gauge Harness

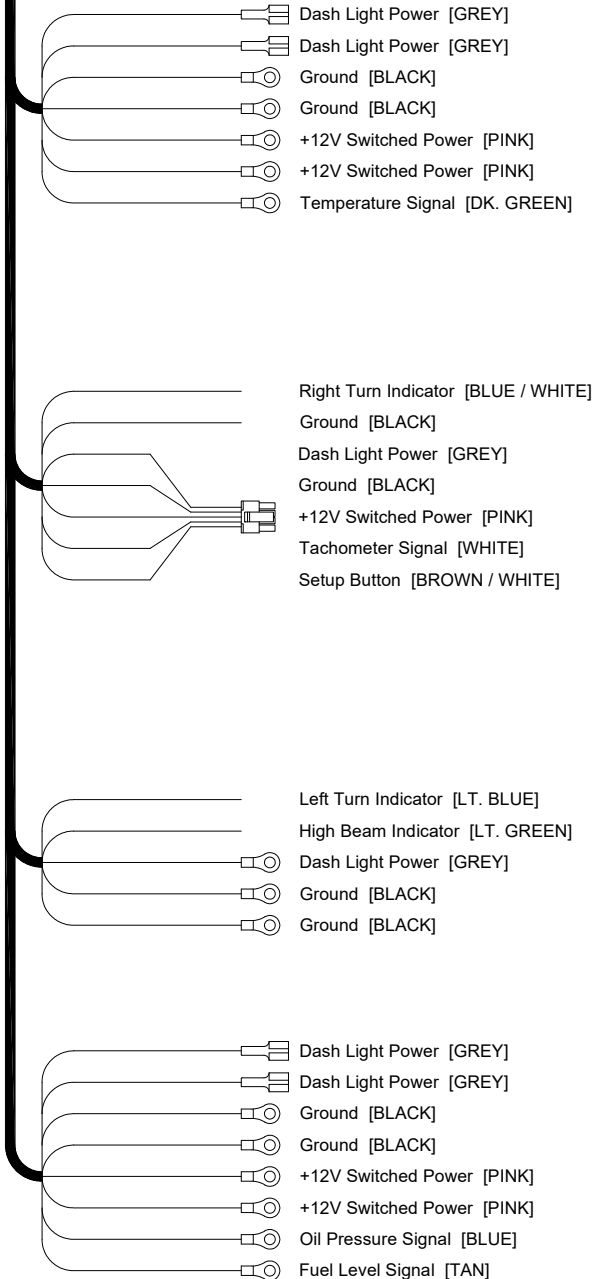


12 PIN MLX MALE CONNECTOR

BROWN / WHITE
BLACK

12 POSITION MOLEX MLX POWER CONNECTOR WIRE POSITIONS

Position	Function - Color
1	Ground - Black
2	Dash Light Power - Grey
3	+12V Switched Power - Pink
4	Right Turn Indicator - Blue / White
5	High Beam Indicator - Lt. Green
6	Left Turn Indicator - Lt. Blue
7	Fuel Level Signal - Tan
8	Oil Pressure Signal - Blue
9	Temperature Signal - Dk. Green
10	Tachometer Signal - White
11	
12	



- Dash Light Power [GREY]
- Dash Light Power [GREY]
- Ground [BLACK]
- Ground [BLACK]
- +12V Switched Power [PINK]
- +12V Switched Power [PINK]
- Temperature Signal [DK. GREEN]
- Right Turn Indicator [BLUE / WHITE]
- Ground [BLACK]
- Dash Light Power [GREY]
- Ground [BLACK]
- +12V Switched Power [PINK]
- Tachometer Signal [WHITE]
- Setup Button [BROWN / WHITE]
- Left Turn Indicator [LT. BLUE]
- High Beam Indicator [LT. GREEN]
- Dash Light Power [GREY]
- Ground [BLACK]
- Ground [BLACK]
- Dash Light Power [GREY]
- Dash Light Power [GREY]
- Ground [BLACK]
- Ground [BLACK]
- +12V Switched Power [PINK]
- +12V Switched Power [PINK]
- Oil Pressure Signal [BLUE]
- Fuel Level Signal [TAN]