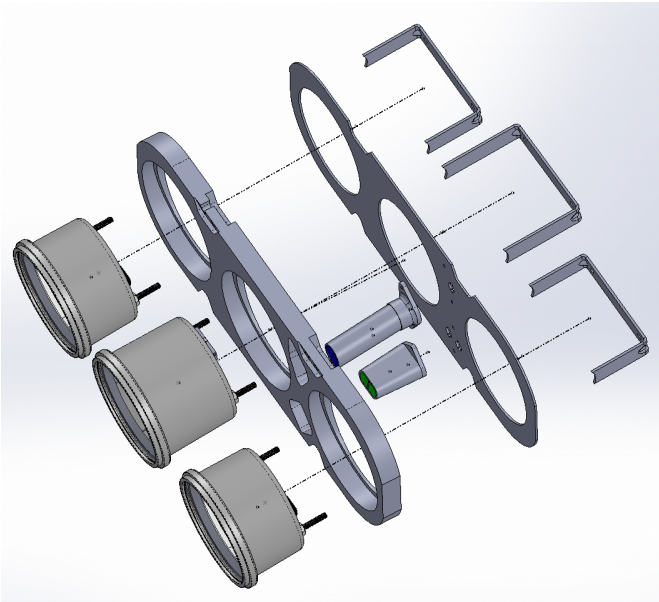
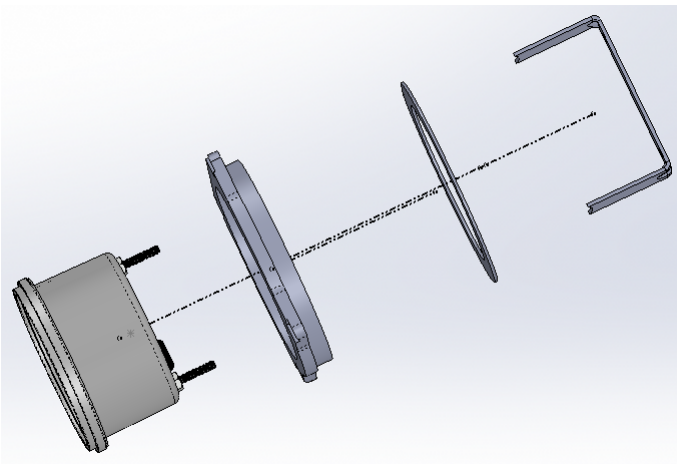


1966-1967 GTO Gauge Set Mounting Instructions



- 1) Assemble water temp / battery, speedometer and tachometer gauges as shown. Use (2) 8-32 locknuts to secure the mounting bracket for each gauge.
- 2) Use included 2-56 screws to secure the high beam and turn indicator tubes. Install the turn and high beam LEDs in the openings behind each tube.
- 3) Place the OEM bezel and lens over the front of the gauges and mount to the back of the dash using 4 hi-lo screws.



- 1) Assemble the fuel / oil pressure gauge as shown. Use (2) 8-32 locknuts to secure the mounting bracket.
- 2) Mount the assembly to the back of the dash using 4 hi-lo screws.



1966-1967 GTO Gauge Set Wiring

- 1) Always disconnect the vehicle battery before wiring any gauge.
- 2) Connect a good chassis ground to the **Black** [Position 1] wire of the gauge cluster harness. *We recommend using a dedicated chassis ground (not stacked with other ground wires) to avoid possible problems caused by a bad ground.*
- 3) Connect dash light power to the **Grey** [Position 2] wire of the gauge cluster harness.
- 4) Connect a fused & keyed +12V power source to the **Pink** [Position 3] wire of the gauge cluster harness. *We recommend using a dedicated power source for the speedometer to avoid possible problems caused by bad "noisy" power.*
- 5) Connect turn indicator power to the **Purple / White** [Position 4] wire of the gauge cluster harness.
- 6) Connect high beam indicator power to the **Lt. Green** [Position 5] wire of the gauge cluster harness.
- 7) Connect left turn indicator power to the **Blue / White** [Position 6] wire of the gauge cluster harness.
- 8) Connect the fuel sender (0-90Ω) to the **Tan** [Position 7] wire of the gauge cluster harness.
- 9) Connect the Classic Instruments oil pressure sender to the **Blue** [Position 8] wire of the gauge cluster harness.
- 10) Connect the Classic Instruments temperature sender to the **Dk. Green** [Position 9] wire of the gauge cluster harness.
- 11) Connect a tachometer signal to the **White** [Position 10] wire of the gauge cluster harness.
- 12) Connect a speed signal to the **Purple** [Position 12] wire of the gauge cluster harness:
 - a. White signal wire from a pulse signal generator [SN16]
 - i. Connect the **Black / White** [Position 13] wire of the gauge harness to the BLACK wire of the SN16.
 - ii. Connect the **Red / White** [Position 14] wire of the gauge harness to the RED wire of the SN16.
 - [OR]
 - b. One (either) wire of an electronic transmission's 2-wire vehicle speed sensor [VSS].
 - i. Connect the **Black / White** [Position 13] wire of the gauge harness to the other VSS wire.
 - [OR]
 - c. Speedometer Signal wire of the vehicle computer [PCM].
 - i. Also set the filter switch on the back of the speedometer to ON.
- 13) Connect the loose Brown Speedometer calibration wire to one wire one of the included black calibration buttons. *(connect the other wire of the calibration button to the loose black wire)*
- 14) Connect the loose Brown / White Tachometer calibration wire to one wire one of the included black calibration buttons. *(connect the other wire of the calibration button to the loose black wire)*
- 15) [Positions 11 and 15] of the gauge cluster harness are NOT USED.

