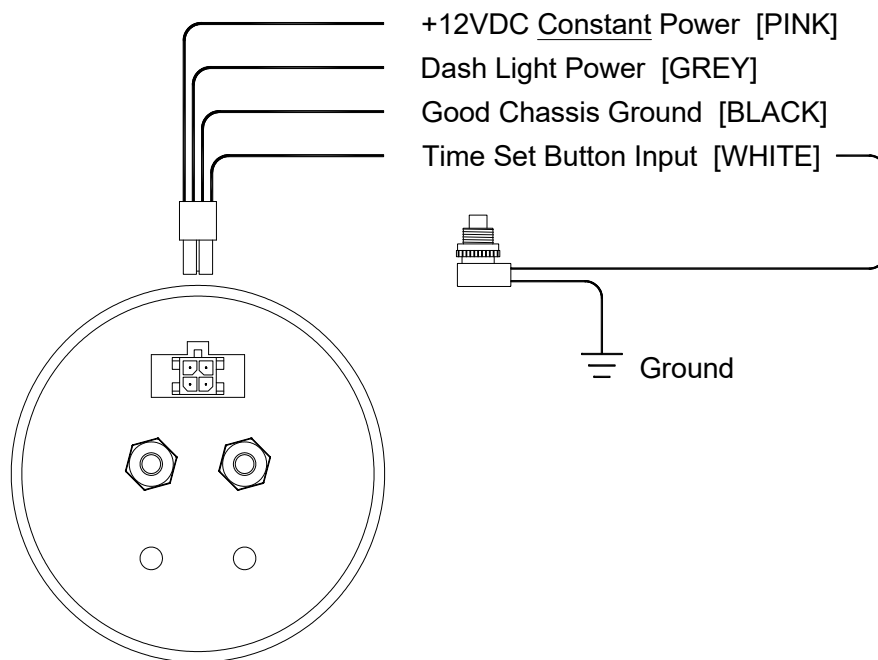


Classic Instruments 2-5/8" Clock Installation

- 1) Make sure you have sufficient clearance (3") behind the panel where you intend to mount the clock.
- 2) If necessary, cut a 2.625" hole in the dash panel at the desired location.
- 3) Fit the mounting bracket over the mounting studs of the clock. The legs of the bracket may be shortened if required.

2 5/8" Clock Wiring

- 1) Always disconnect the ground lead from the vehicle battery before wiring any gauge.
- 2) Connect constant +12VDC source to the **Pink** wire of the clock harness.
- 3) Connect dash light power to the **Grey** wire of the clock harness.
- 4) Connect a good ground to the **Black** wire of the clock harness.
- 5) Connect one wire of the time set button to the **White** wire of the clock harness.
 - a. Connect the other wire of the time set button to ground.



Setting the Correct Time

To set the correct time on your clock, simply press the momentary pushbutton that was included with the clock. To advance the clock one minute, tap the pushbutton. To advance the clock more than just a few minutes you can press and hold the pushbutton. This will fast-forward the clock to whatever time you prefer.

Because the clock is wired to a constant +12VDC source, the clock will stay operational even when the vehicle is parked or in storage. To make the clock inactive, simply disconnect the ground terminal on the vehicle's battery. This is a good idea when placing the car in storage for any long period of time.